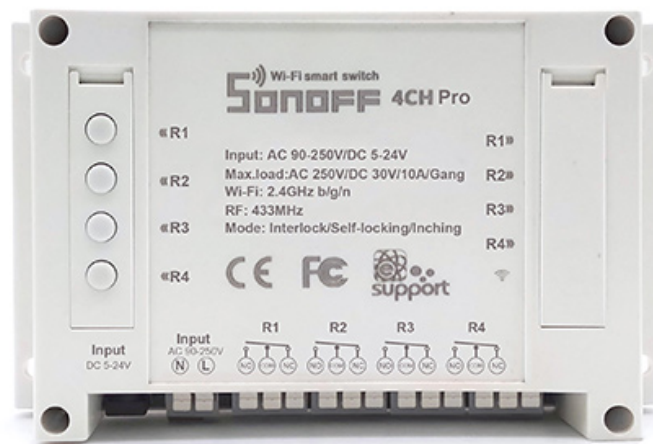


Sonoff 4CH Pro



Specification

Working modes: inching/interlock/self-locking mode

Adjustable time for inching mode: 0.25-4s

Power Supply: 90-250V AC(50/60Hz) / 5-24V DC

Max current: 10A/gang

Max Power: 2200W/gang

Wireless Standard: Wi-Fi 2.4GHz b/g/n, 433MHz RF

Security Mechanism: WEP/WPA-PSK/WPA2-PSK

SONOFF 4CH PRO

4-channel Smart Wi-Fi Switch
Interlock | Self-locking | Inching



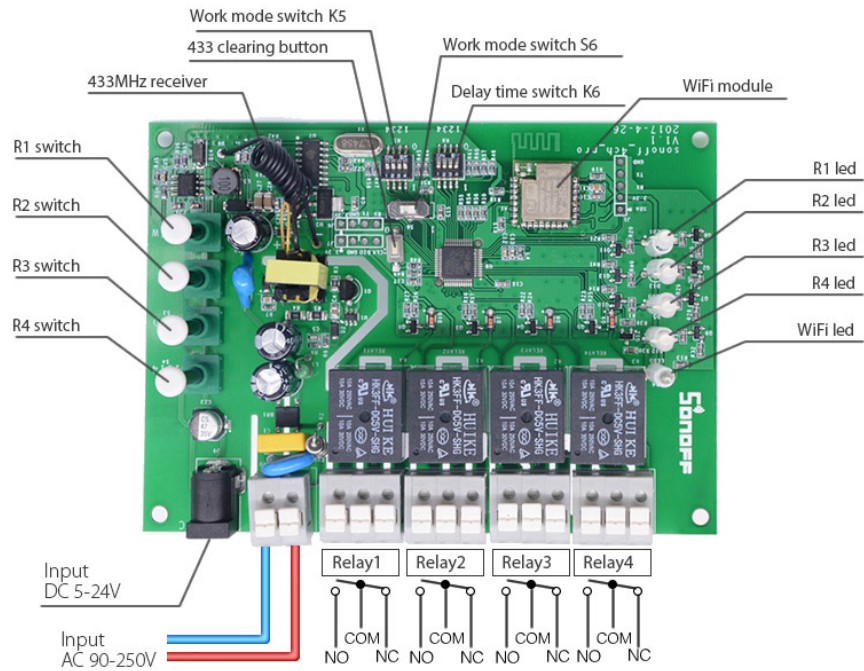
Input: AC 90-250V/ DC 5-24V
Max. Load: AC 250V/DC 30V/10A/Gang
Wireless: WiFi & 433MHz



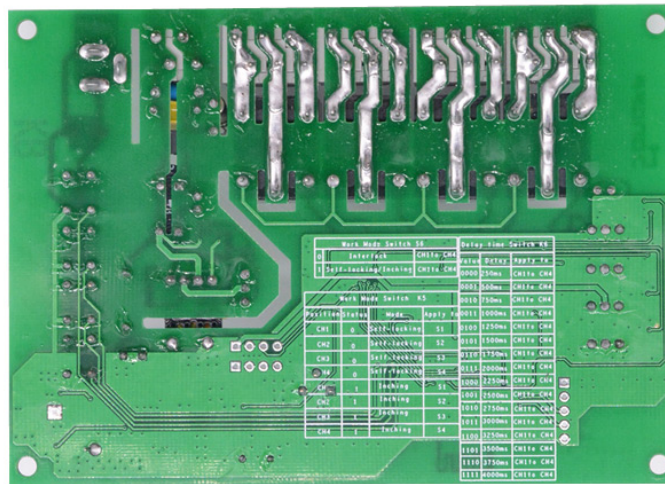
-  Remote ON/OFF
-  Smart Timer
-  Feedback Status
-  Self-locking mode
-  Interlock mode
-  Inching mode



WHAT'S ON BOARD?



TRUE VALUE TABLE



Work Mode Switch S6		
0	Interlock	CH1 to CH4
1	Self-locking/Inching	CH1 to CH4

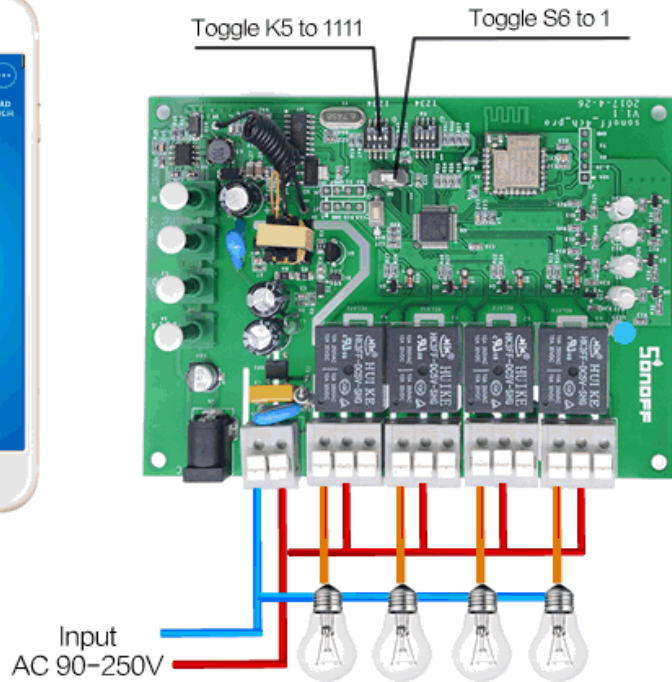
Work Mode Switch K5			
Position	Status	Mode	Apply to
1	0	Inching	CH1
2	0	Inching	CH2
3	0	Inching	CH3
4	0	Inching	CH4
1	1	Self-locking	CH1
2	1	Self-locking	CH2
3	1	Self-locking	CH3
4	1	Self-locking	CH4

Delay time Switch K6		
Value	Delay	Apply to
0000	4000ms	CH1 to CH4
0001	3750ms	CH1 to CH4
0010	3500ms	CH1 to CH4
0011	3250ms	CH1 to CH4
0100	3000ms	CH1 to CH4
0101	2750ms	CH1 to CH4
0110	2500ms	CH1 to CH4
0111	2250ms	CH1 to CH4
1000	2000ms	CH1 to CH4
1001	1750ms	CH1 to CH4
1010	1500ms	CH1 to CH4
1011	1250ms	CH1 to CH4
1100	1000ms	CH1 to CH4
1101	750ms	CH1 to CH4
1110	500ms	CH1 to CH4
1111	250ms	CH1 to CH4

*Note: Cut off main supply before switching S6, K5, K6.

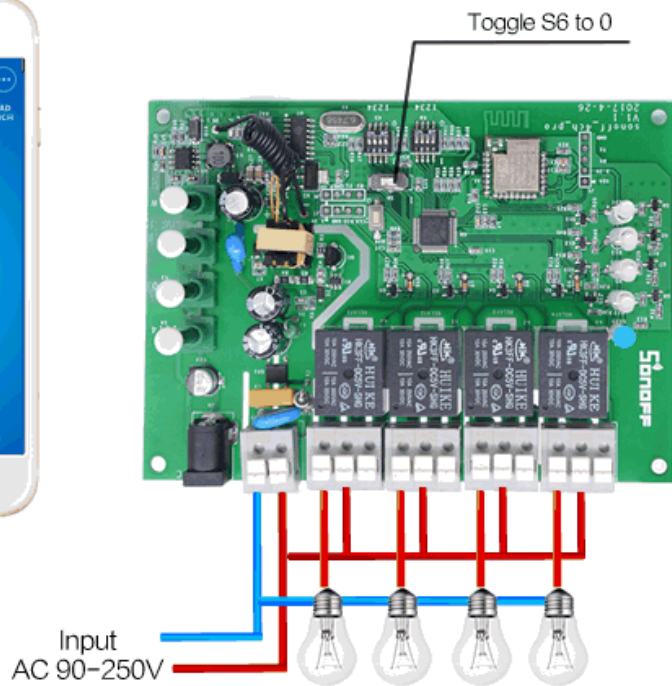
3 WORKING MODES

① Self-locking Mode GIF



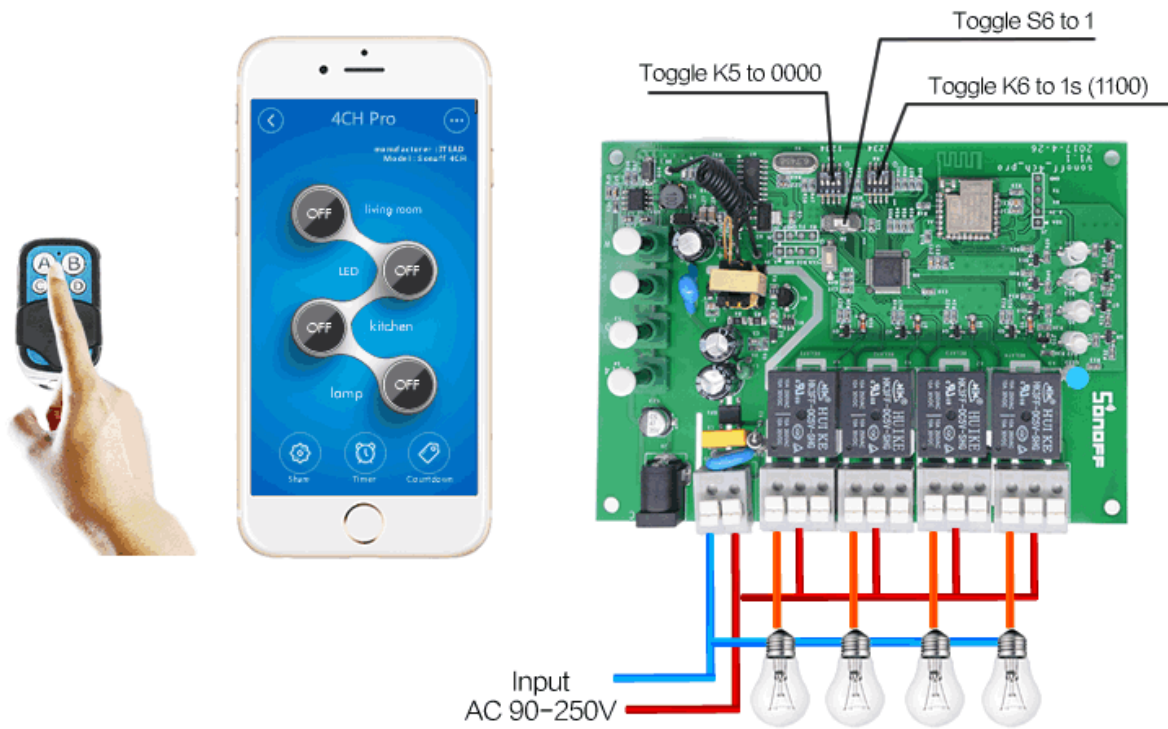
3 WORKING MODES

② Interlock Mode GIF

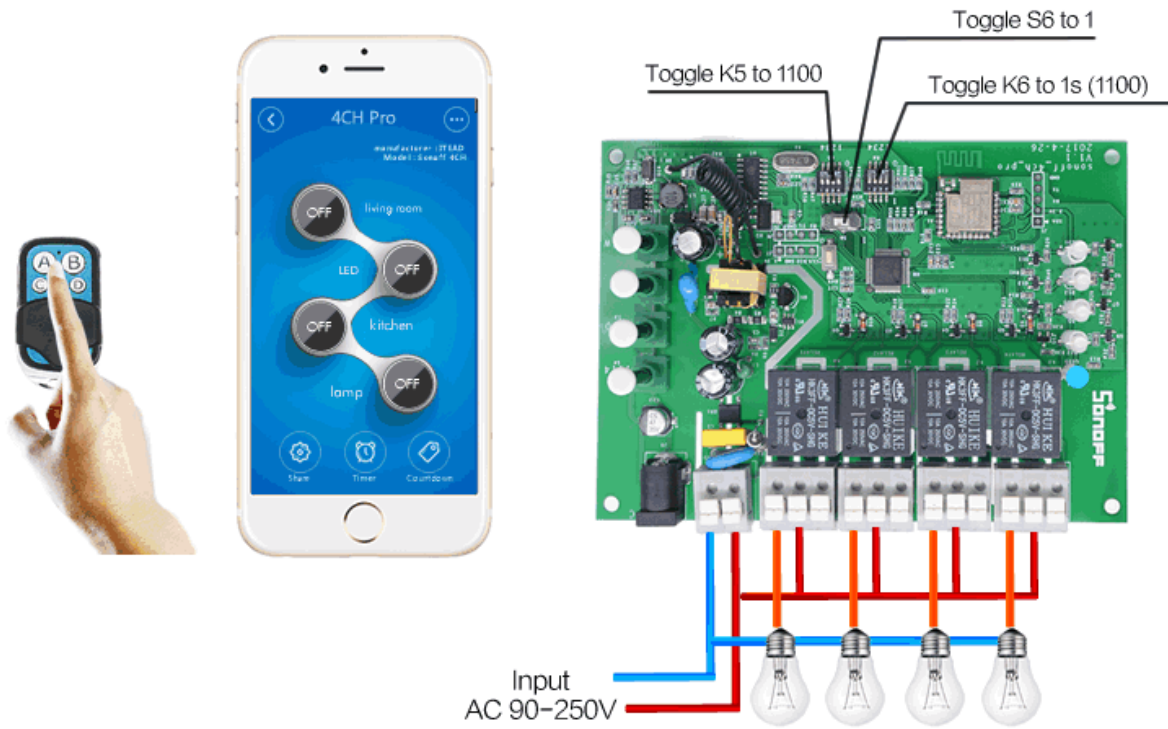


3 WORKING MODES

③ Inching Mode GIF



Self-locking Mode + Inching Mode GIF



SMART TIMER



Single timing



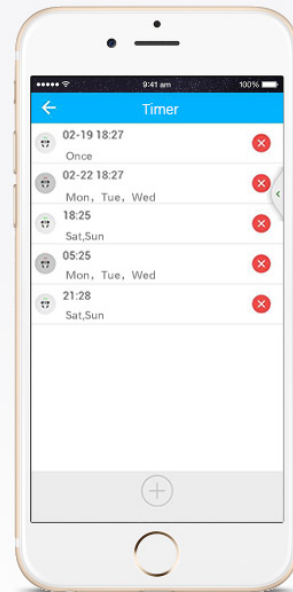
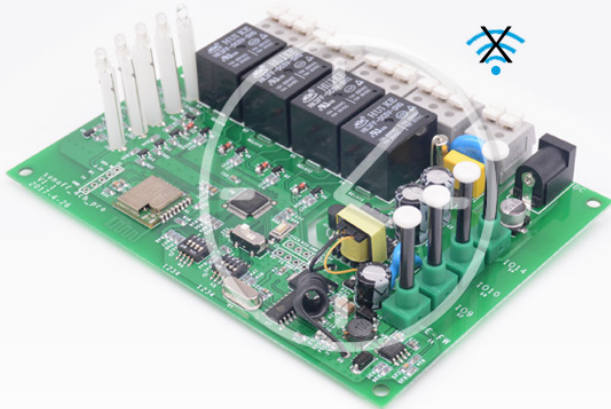
Repeat timing

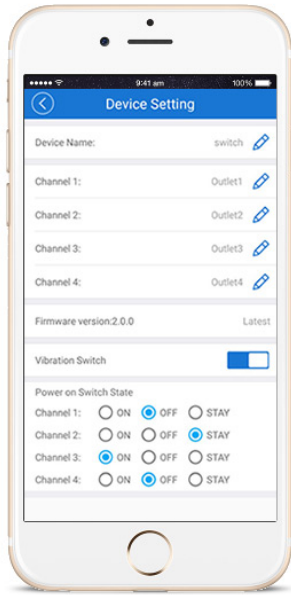


Countdown

SMART TIMER

✓ Preset timers can run even network unavailable





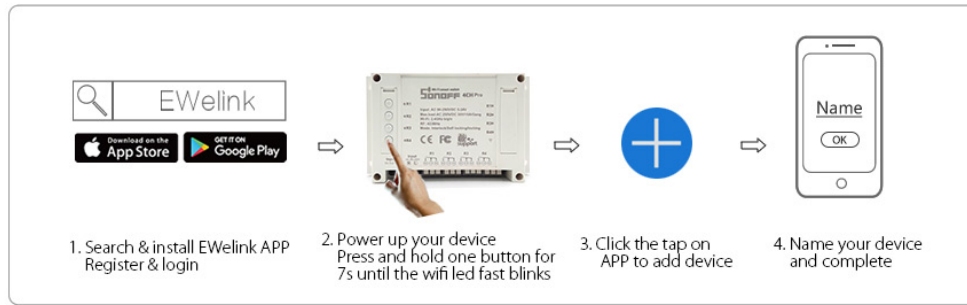
MORE SETTING

- Rename your device
- Rename each channel
- Online upgrade firmware
- Vibration setting
- Power on setting

WHAT CAN IT DO?



QUICK START



Marketing Department:

Address: 5F, Building A,
Yuxing Multiple-use Building,
Huaya Industrial Park,
Jihua Road, Longhua Dist.,
Shenzhen, GD
518000, China
Tel:+86-755-27955416



(<https://www.youtube.com/channel/UClI06ag7O3vSFFGONQGySvg>)



(<https://github.com/itead>)



(<https://twitter.com/iteadstudio>)



(<http://www.facebook.com/pages/ITead-Studio/248984101795699>)



(<https://vk.com/itead>)



(<https://plus.google.com/+iteadstudio>)

Copyright © 2016 ITEAD Intelligent Systems Co.Ltd.