



Description

Ecocol is a complete solar-powered system for low voltage installations. It is ideal for doors and gates that are not easily reachable from the electricity mains, thanks to its compatibility with all 24V systems, both old and new, and is adaptable to all contexts.

The system components are interconnected with sealed, quick-fit connectors to ensure maximum simplicity in daily use.



The control panels have a useful handle to make them easy to carry when they have to be connected to the electricity mains to recharge the batteries.



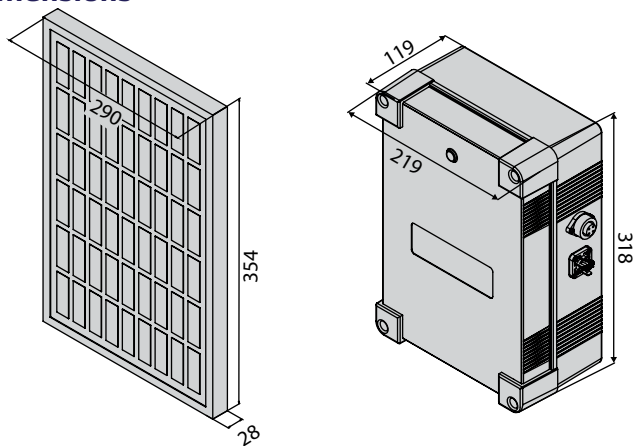
"Vandal-proof" versions of screws and fasteners can be supplied to guarantee maximum security and safety in all situations.



Summary table

Code	Name
D113731	ECOSOL BOX
D113750	ECOSOL BOX SENZA BATTERIA
D113732	ECOSOL DOUBLE
N999471	ECOSOL PANEL

Dimensions



Technical features

	ECOSOL BOX	ECOSOL BOX SENZA BATTERIA	ECOSOL DOUBLE	ECOSOL PANEL
Nominal voltage	24V	24V	24V	24V
Maximum current	10A	10A	10A	
Peak power				10Wp (Watt-peak)
Battery nominal capacity	7.2Ah		7.2Ah	
Number of batteries	2			
Battery type	12V			
Maximum panel power	35Wp (Watt-peak)	35Wp (Watt-peak)		
Consumption in standby	0.15W	0.15W		
Environmental conditions	from -20°C to 50°C			
Protection rating	IP55			
Weight	6kg	6kg	5.5kg	2kg