



BFT Deimos Ultra A600/600V

Ultra Easy
Ultra Dependable
Ultra Safe



Market leading quality from BFT Italy. Ideal for Residential gates from 3 to 7 metres in length and 600 Kilograms in weight. BFT offers a comprehensive range of accessories making the Deimos Ultra the complete solution for your home. BFT operates all over the world, with 20 branches worldwide, and over 530 distributors in 120 countries. Gate-A-Mation has been recommending BFT products for over twenty years.



Be ahead

From 1967 to date:

fifty years of Bft solutions.



Our history is a story of creativity; originally the vision of one person, today we are an international company recognised across the world for our intelligent solutions and the reliability of our products.

Joining the Somfy Group in 2004 our company continues to evolve with greater resources, people and increased authority in the international market.

Over the years, whilst developing ever more efficient sliding and swing gate automation technology, the staff at Bft have successfully focused their efforts on creating new solutions for parking systems and access control.

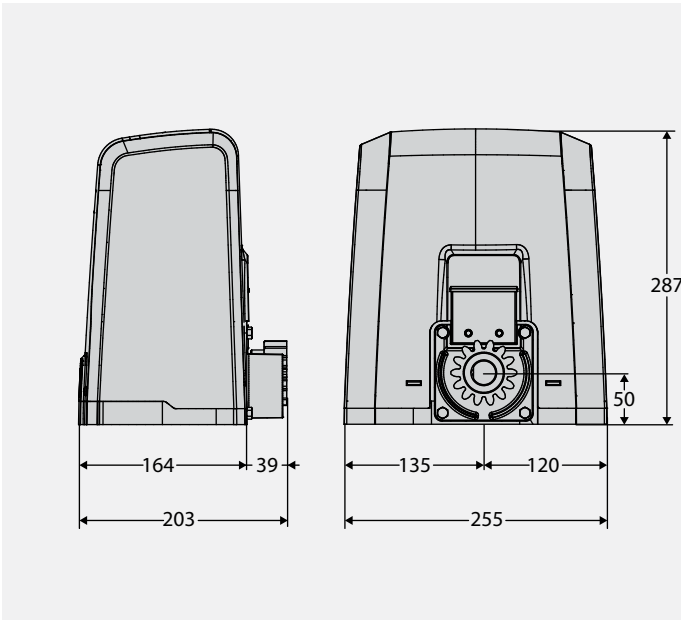
Our 530 distributors and 24 branches in more than 120 countries prove that we know how to stand out and our everyday activities are still inspired by the same curiosity about the future that awaits us.

DEIMOS ULTRA BT A



Range of operators for sliding gates weighing up to 600 Kg.
Maximum leaf speed up to 16 m/min.
Newly designed magnetic limit switch for quicker installation; precise and perfectly integrated with architecture of site.
Residential use.
Control unit designed for use with the Blue Entry system.

Dimension (mm)



Technical features

	DEIMOS ULTRA BT A400	DEIMOS ULTRA BT A400 V	DEIMOS ULTRA BT A600	DEIMOS ULTRA BT A600 V
Control unit	MERAK SL1		MERAK SL2	
Board power supply	230 V	230 V	230 V	230 V
Supply voltage AC	24 V	24 V	24 V	24 V
Power input	50 W	50 W	70 W	70 W
Max. door/gate weight	400 kg	300 kg	600 kg	360 kg
Gate speed	12 m/min	16 m/min	12 m/min	16 m/min
Type of limit switch	Magnetic	Magnetic	Magnetic	Magnetic
Pinion module	4	4	4	4
Slowdown	Yes	Yes	Yes	Yes
Locking	Mechanical	Mechanical	Mechanical	Mechanical
Release	Lever-operated with personal key	Lever-operated with personal key	Lever-operated with personal key	Lever-operated with personal key
Impact reaction	D-Track	D-Track	D-Track	D-Track
Frequency of use	intensive	intensive	intensive	intensive
Protection rating	IP44			
Environmental conditions	-20 ÷ 55 °C			



Code	Name	Description	
P925221 00002	DEIMOS ULTRA BT A400	Operator 24 V for sliding gates up to 400 kg in weight. Leaf speed 12 m/min. U-Link and Magnetic limit switch	 U-Link
P925221 00003	DEIMOS ULTRA BT A400 V	Operator 24 V for sliding gates up to 300 kg in weight. Leaf speed 16 m/min. U-Link and Magnetic limit switch	 U-Link
P925223 00002	DEIMOS ULTRA BT A600	Operator 24 V for sliding gates up to 600 kg in weight. Leaf speed 12 m/min. U-Link and Magnetic limit switch	 U-Link
P925223 00003	DEIMOS ULTRA BT A600 V	Operator 24 V for sliding gates up to 360 kg in weight. Leaf speed 16 m/min. U-Link and Magnetic limit switch	 U-Link
R925265 00002	DEIMOS ULTRA BT KIT A400 FRA	Complete kit 24 V for sliding gates weighing up to 400 kg. Leaf speed 12 m/min. U-Link and Magnetic limit switch	 U-Link
R925269 00002	DEIMOS ULTRA BT KIT A600 FRA	Complete kit 24 V for sliding gates weighing up to 600 kg. Leaf speed 12 m/min. U-Link and Magnetic limit switch	 U-Link

MERAK: Incorporated control unit for one 24V operator for sliding gates

MERAK - Built in



- Incorporated control unit for one 24V operator for sliding gates
- Board power supply: 230V single-phase
- Operator power supply: 24V 80W
- Main functions: automatic closing, quick closing, pedestrian passage, people-present operation, maintenance warnings.
- Compatibility: HQSC-D, QSC-D MA
- Principal features: removable terminal boards with new colour standard, simplified scenario programming with display, integrated dual channel receiver, protection against crushing based on D-Track system, slowdown during opening and closing

RECOMMENDED ACCESSORIES

	D221073 - CP plastic rack, 4-module, cross-section 22 x 22 mm, length 1 m, screw-fitted into slots Max. load capacity 600 kg.		D571053 - CVZ steel rack, 4-module, cross-section 30 x 12 mm, length 1 m, screw on supports Max. load capacity 1000 kg.
	N999320 - CVZ-S steel rack, 4-module, cross-section 30 x 8 mm, length 1 m, screw-fitted on supports Max. load capacity 800 kg.		N999151 - SFD Base plate for DEIMOS series (supplied with operator)
	P111468 - B EBA RS 485 LINK Expansion board for connection of central units with serial controls management		P125035 - SL BAT2 Emergency battery kit for Deimos BT A, Ares BT A, Deimos Ultra BT A, Ares Ultra BT A.

Gate-A-Mation

www.gate-a-mation.com.au

admin@gate-a-mation.com.au

Ph 08 7099-2202

Bft, cutting-edge products



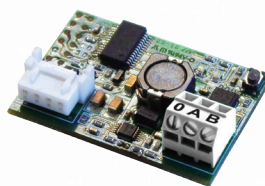
D111904 - **MITTO B RCB02 R1**
Transmitter with 2 channels.
Range 50/100 m. Power supply 12 V with 1 battery type 23 A



D111906 - **MITTO B RCB04 R1**
Transmitter with 4 channels.
Range 50/100 m. Power supply 12 V with 1 battery type 23 A



P121024 - **Q.BO TOUCH**
Wireless digital touch button panel 433 MHz rolling code.



P111494 - **B EBA WI-FI GATEWAY**
Expansion card permitting connection of a U-link device to a home Wi-Fi network. Connected operators may be remotely managed with the U-control app available for Android and IOS smartphones.



P121028 - **MIME PAD**
Radiocomando da parete 4 canali rolling code



P111536 - **AKTA A30**
Pair of photocells adjustable 180° horizontally and 20° vertically. Range 30 m. Power supply 24 V ac/dc.



P111537 - **ERIS A30**
Pair of wireless photocells with the possibility of management of an active infrared or resistive safety edge adding STR and BIR C or BAR C profiles.



P125035 - **SL BAT2**
Emergency battery kit for Deimos BT A, Ares BT A, Deimos Ultra BT A, Ares Ultra BT A.



P125020 - **BBT BAT**
Set of backup batteries for THALIA and THALIA P