



AGT

CAME BPT
AGT
HANDSET
RECEIVER
RANGE.

CAME 

CAME.COM



AGT SERIES

AGT is the brand new range of classic audio or audio/video entry handset receivers with a hi-performance speaker that provides loud ringtone as well as crisp audio.



Where video is an option for the system, a 5" colour display creates crystal clear images from the entry panel feed.

MINIMAL AND THIN

An ergonomically designed receiver which combines minimalism and functionality. Matt white finish and a sleek, streamlined shape for only 21 mm thickness.

MAGNETIC SWITCH

Developed with precision and style, AGT has been designed to effortlessly blend into its surroundings, and magnets have been integrated into the handset and receiver to make the use of the device as easy as possible and maintain its performance even with high levels of usage.

VOLUME ADJUSTMENT

Ringtone management (volume adjustment/mute mode) can be easily controlled by the display buttons, whilst an LED indicator provides a visual indicator.



AGT VIDEO

Whether you are using X1 or System 200, AGT video can be wired to provide clear video images without compromising features.

The 5" colour display has a resolution of 480 x 272 pixels and is equipped with OSD to easily adjust the image brightness, contrast and colour using the arrow buttons.



ADVANCED FEATURES

CAME.COM

REAL SCALE 5"



OSD function for brightness, contrast and colour adjustment.

AUXILIARY OUTPUT

The auxiliary commands can be configured according to specific needs. AGT is equipped with aux2, allowing a secondary gate to be opened.

LATCH FUNCTION

The on board 'latch function' for X1 models allows users to know if the gate/door is open even when it is not immediately visible, by using a led icon.

This requires compatible automatic gate equipment. not all equipment can do this.

AUTOMATIC DOOR OPENING

In scenarios where you have high volume of entry/exit, for example offices or public places, AGT allows you to engage the automatic door function with no need for additional access control.

Using the existing buttons on the system, this function can easily be switched on/off.



SOFT TOUCH BUTTONS

Size and shape are perfectly balanced, colour and finish are stylish and elegant. A lot of care has been put on the buttons technology, developing a refined soft touch solution. A white LED visual indicator sits beneath the surface, making the buttons easy to locate in low light settings.



FUNCTIONS FOR SIGHT AND HEARING IMPAIRED

As part of the wider set of features, AGT VIDEO X1 receivers have built in functionality that enables the use of system by those suffering from audio and visual impairment.

Audio Induction Loop technology is embedded in AGT V BF model, to assist the usage of the videoentry device via hearing aids.

Moreover, the concave design of the soft touch controls allows the visually impaired to effortlessly interact with the receiver. Ringtone volume can easily be adjusted through handy switches.



AGT VIDEO RANGE



Models for:
200 SYSTEMS

AGT V200

- 5" display
- OSD for image adjustment
- Soft touch buttons



Models for:
X1 SYSTEMS

AGT V

- 5" display
- OSD for image adjustment
- Soft-touch buttons
- Latch function
- Porter call (AUX2)
- Automatic door opener

AGT V BF

- 5" display
- OSD for image adjustment
- Soft-touch buttons
- Latch function
- Porter call (AUX2)
- Automatic door opener
- Functions for hearing impaired

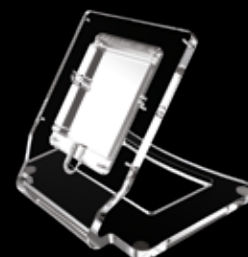


Table mount
AGT KT V

Handset

Display 5" 480 x 272



Menu navigation keys

Camera monitoring

Door release

Aux 2

Setting the ringtone / mute mode

Picture and features referred to model AGT V

EASY INSTALLATION

Supplied surface mounted, installation of AGT couldn't be easier, with no tracing work required prior to installation.



WALL MOUNTING FRAME

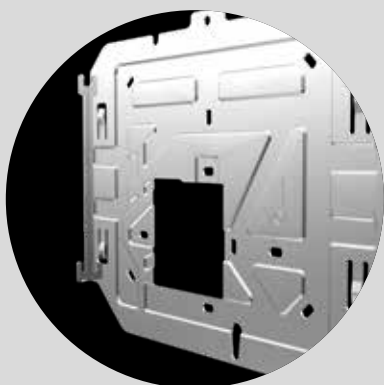
The wall mounting frame is the perfect solution also to replace old models. Once the wall bracket has been fixed, the receiver is quickly settled thanks to the easy plug-in system.

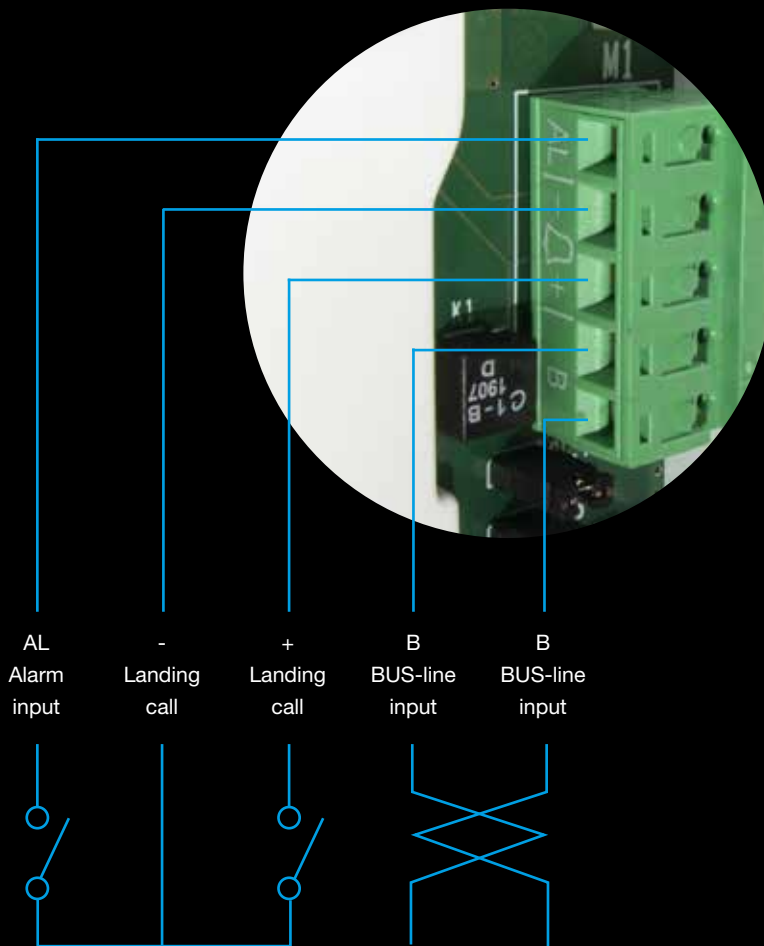
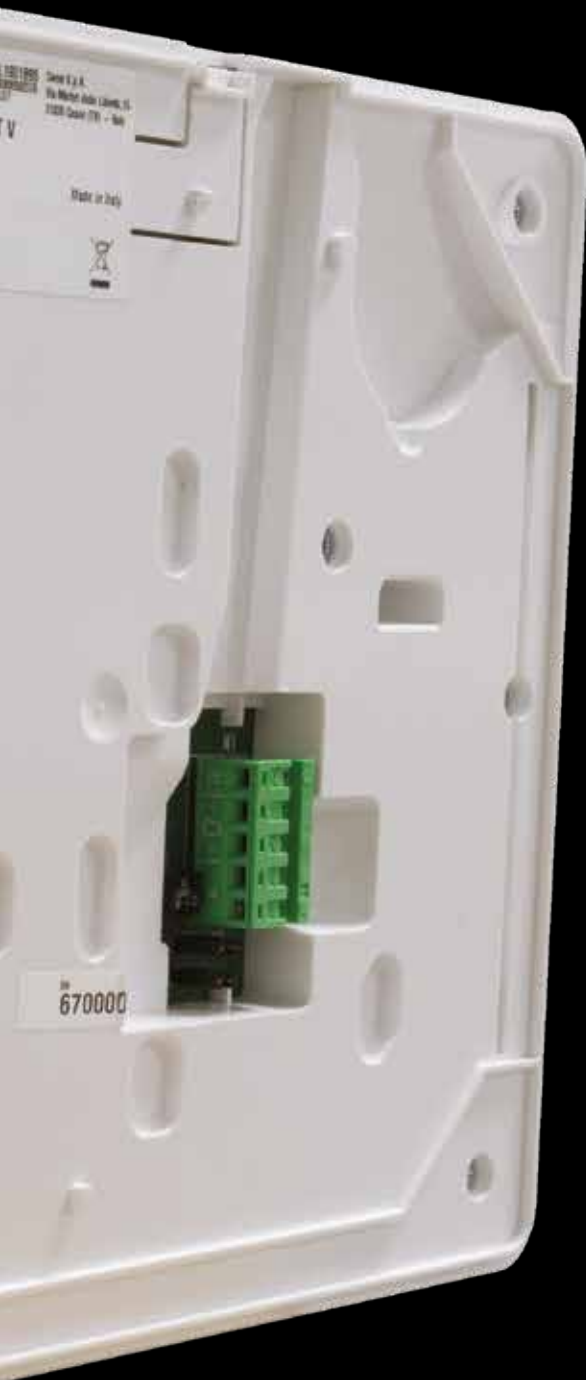
AGATA MODELS COMPATIBILITY

AGT has been designed for ease of retrofit, so system upgrades can be carried out easily, with easily accessible wiring on the back of the receiver. The footprint of the AGT is marginally larger than its predecessor, AGATA, so any surface blemishes will be covered during the retrofit installation.

TABLE MOUNTING

AGT can be supplied with an additional table mounting device to further the flexibility of use. Two options are improve for both audio and video versions of the receiver.



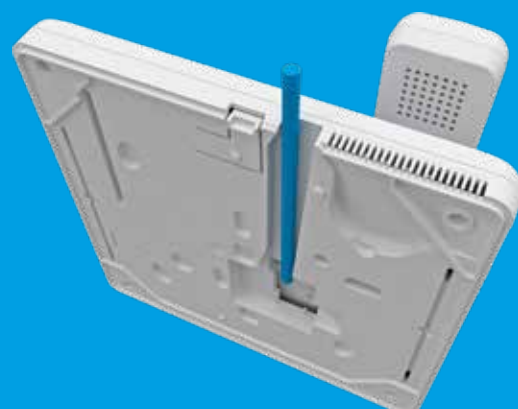


TECHNICAL FEATURES

MODELS	VIDEO 200	VIDEO X1	AUDIO 200	AUDIO X1
Alimentation (VDC)	de 14 ÷ 17.5	de 15 ÷ 20	-	de 15 ÷ 20
Consumption (mA)	95	175	-	30
Consumption in stand-by mode(mA)	< 12	< 1	-	< 1
Consumption LED simple (mA)	1	1	1	1
Storage temperature (°C)	de -25 ÷ +70	de -25 ÷ +70	de -25 ÷ +70	de -25 ÷ +70
Operating temperature (°C)	de +5 ÷ +40	de +5 ÷ +40	de +5 ÷ +40	de +5 ÷ +40
IP Rating	IP 30	IP 30	IP 30	IP 30
Standard video	PAL/NTSC	PAL/NTSC	-	-
Display LCD TFT (inches)	5	5	-	-
Band width at -3dB (MHz)	5	-	-	-
Incoming video impedance (kΩ)	≥ 22	-	-	-
Coaxial video input (Vpp)	1	-	-	-
Video input via twisted pair cable (Vpp)	±0.6	-	-	-

SIMPLE CONNECTIONS

AGT is equipped with a removable terminal block to facilitate wiring. Simply remove the terminal block from the receiver body, make the connections and reinsert the terminal block on the receiver. AGT has also a dedicated groove on the back side for installation with wiring external to the wall,



DIMENSIONS



AGT VIDEO

CODES / ITEMS

CODES	ITEMS	DESCRIPTIONS	SYSTEM COMPATIBILITY
VIDEO ENTRY HANDSET FOR X1 SYSTEM			
840CF-0020	AGT V	Video entry handset with soft-touch keys for X1 system, 5" LCD display, 1 programmable AUX key, white colour.	X1
840CF-0030	AGT V BF	Video entry handset with soft-touch keys for X1 system, 5" LCD display, 1 programmable AUX key, white colour. Hearing aid function for hearing impaired users.	X1
VIDEO ENTRY HANDSET FOR 200 SYSTEM			
840CF-0010	AGT V200	Video entry handset with soft-touch keys for 200 system, 5" LCD display, white colour.	200
ACCESSORIES			
840XC-0150	AGT KT V	Desktop stand for audio receivers of the AGT V, Agata Video, Perla Video and Opale series.	X1 200
AUDIO ENTRY HANDSET FOR X1 SYSTEM			
840CA-0040	AGT A	Audio entry handset with soft-touch keys for X1 system, 1 programmable AUX key, white colour. With soft-touch key for adjusting/excluding the ring tone.	X1
840CA-0050	AGT A EVO	Audio entry handset with soft-touch keys for X1 system, 1 programmable AUX key and 4 additional programmable keys to perform up to 6 intercom calls, white colour. With soft-touch key for adjusting/excluding the ring tone.	X1
CITOFONI A CORNETTA PER SISTEMI 200			
840CA-0010	AGT A200	Audio entry handset for 200 system, white colour.	200
840CA-0020	AGT A200 EVO	Audio entry handset for 200 system, 2 AUX keys and 4 intercom calls, white colour. With lever for adjusting/excluding the ring tone.	200
840CA-0030	AGT A200 K	Audio entry handset for 200 system, 2 AUX keys, white colour. With lever for adjusting/excluding the ring tone.	200
ACCESSORIES			
840XC-0140	AGT KT A	Desktop stand for audio receivers of the AGT, Agata and Perla series.	X1 200

© CAME SPA - KADENLNE20 - 2020 - EN
CAME reserves the right to make any changes to this document, at any time. Even partial reproduction is prohibited.

CAME

CAME S.P.A.
Via Martiri della Libertà, 15
31030 Dosson di Casier
Treviso - ITALY

CAME.COM

We are a leading multinational supplier of integrated high-tech solutions for automating residential, public and urban settings, which generate intelligent spaces for the wellbeing of people.

- GATES AUTOMATION
- VIDEO ENTRY SYSTEMS
- GARAGE AND INDUSTRIAL DOOR AUTOMATION
- AUTOMATIC BARRIERS
- PARKING SYSTEMS
- TURNSTYLES AND SPEED GATES
- BOLLARDS AND ROAD BLOCKERS
- HEATING CONTROL
- AUTOMATIC DOORS
- SHUTTER AND BLIND SOLUTIONS
- BURGLAR ALARM SYSTEMS
- HOME AUTOMATION

CE



LITHOS

Monolithic video entry panel

Lithos is the colour video entry panel created for the X1 two-wires system. Compact and slim (30 mm thick on the wall), it is perfect for any environment, thanks to the design with soft lines and the elegant finish in brushed stainless steel.

Lithos, which can either be wall-mounted or recessed and equipped with single or double buttons according to the type of system, has an intercom function without extra devices and can be used to create systems designed to handle up to 4 lines.



Video version



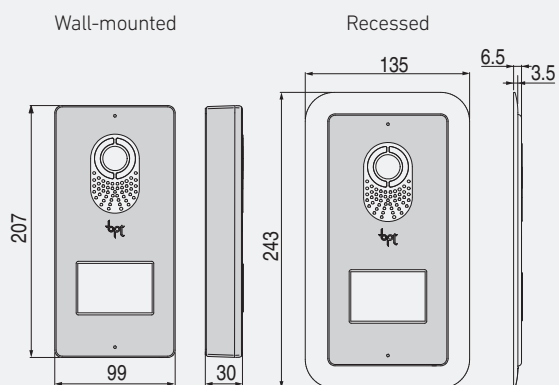
COMPATIBLE SYSTEMS



2 wires



Technical characteristics



Dimensions

(WxHxD) 99x207x30 mm wall-mounted
(WxHxD) 135x243x6.5* mm recessed



* Embedding box: depth 54.5 mm; protrusion from wall: 3.5 mm

Plus

Installation

The new Lithos entry panel can either be wall-mounted or recessed, offering maximum adaptability to any type of setting and minimum protrusion. Thanks to the special embedding box, Lithos is only 6.5 mm thick, and its soft, curved lines transform it into a discreet but elegant decorative item.



wall-mounted



recessed

Unmatched video quality

With its ultra-modern sensors and built-in digital image-processing algorithms, Lithos guarantees superlative video quality in any ambient conditions, day or night.

The sophisticated light guide system, developed jointly with the Plast Optica Research Centre (a division of FIAT's research centre), guarantees perfect night-time illumination. The latest digital sensors, together with sophisticated image-processing algorithms, guarantee superlative video quality in any ambient conditions.



Finishes

With its soft lines and finishes in brushed stainless steel, Lithos is a truly elegant and refined entry panel.



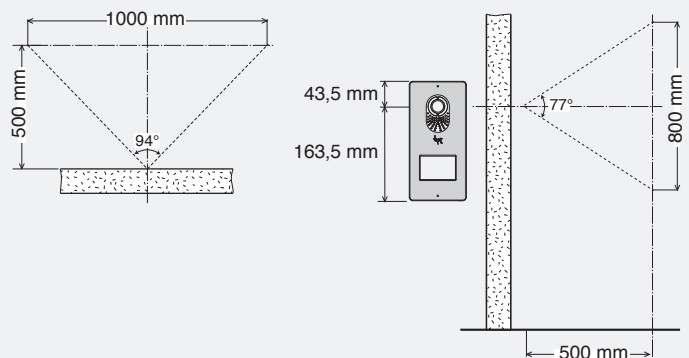
Impact-resistant and watertight

Lithos is built to last. With its incredibly robust construction and IP54 protection rating.



Wide viewing angle

Lithos features the "wide eye" system (angle of lens aperture: 77°), which makes it possible to use the camera to display a wide field of vision (for example, from a distance of 50 cm from the entry panel, the camera can capture an image 100 cm in width and 80 cm in height).



Plus

Single or double pushbuttons

Lithos can come with single or double buttons according to the type of installation to be created (up to 4 lines). They can easily be replaced, for example to insert name tags.



Lithos with 1 button



Lithos with 2 buttons



Lithos with 4 buttons

Accessories for audio or video entry panels



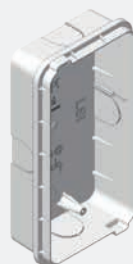
Single pushbutton



Double-height pushbutton



Double pushbutton



Embedding box



Frame



Wall rainshield

Articles and codes

ENTRY PANEL

LVC/01 **62020070** Colour video entry panel. Protection rating IP54. Dimensions (WxHxD): 99x207x30 mm.

LC/01 **60090650** Audio entry panel. Protection rating IP54. Dimensions (WxHxD): 99x207x30 mm.

ACCESSORIES

DPS **61800030** Single pushbutton complete with support and external protective cover, transparent UV-resistant polycarbonate. Dimensions (WxHxD): 20x60x14 mm.

DPH **61800040** Double-height pushbutton complete with support and external protective cover, transparent UV-resistant polycarbonate. Dimensions (WxHxD): 40x60x14 mm.

DPD **61800050** Double pushbutton complete with support and external protective cover, transparent UV-resistant polycarbonate. Dimensions (WxHxD): 20x60x14 mm.

LTP **61800410** Wall rainshield. Dimensions (WxHxD): 102.4x208.6x49.5 mm.

LCI **61800420** Frame for recessed installation in grey PC/ABS thermoplastic. Dimensions (WxHxD): 135x243x35 mm.

LSI **60090640** Embedding box in plastic. Dimensions (WxHxD): 127x235x54.5 mm.



Bpt S.p.A. single member share company
Via Cornia, 1/b
33079 Sesto al Reghena (PN) - Italy
Ph. +39 0434.698111
Fax +39 0434.698434
www.bpt.it - info@bpt.it

BPT is a company of
CAMEGROUP

